

Tri-Suction Pile Caisson (TSPC)

SPT Offshore



TSPC

Tri-Suction Pile Caisson

If you're looking for a low cost and **eco-friendly** suction pile foundation for offshore wind turbines, the TSPC is the solution

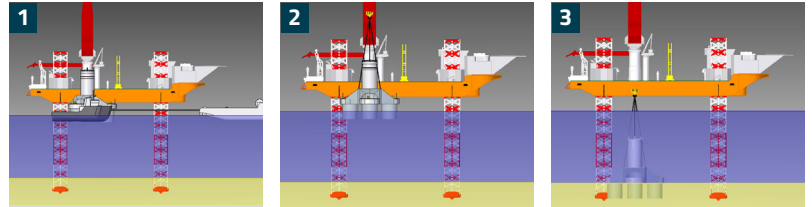
Product characteristics

- Combining cost efficient monopile technology with the superior foundation performance of a suction piles.
- 30% cost saving compared to piled jackets
- Wind turbines from 5MW to 15MW
- Water depths up to 60m
- Suited for wide range of soils from:
 - loose to dense sands
 - soft to stiff clays
 - layered soils
 - sediments over rock

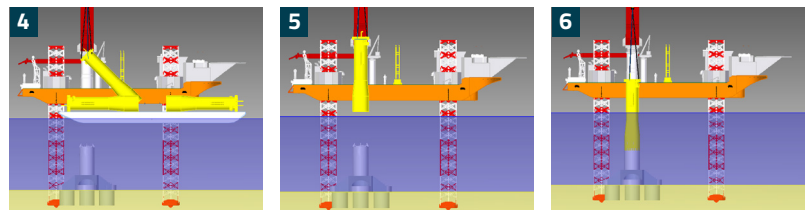
Benefits of the TSPC

- Innovative combination of **proven** technology results low risks and high predictability
- **Economical** fabrication
- Very swift offshore **installation**
- **Noise-free** and vibration-free installation
- Removal and decommissioning by reverse installation - Fast and **without a trace**

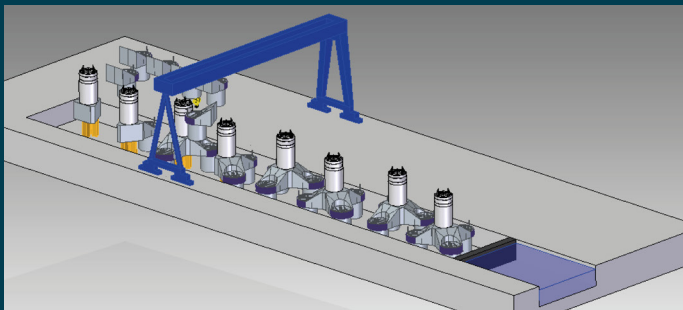
Transport and installation



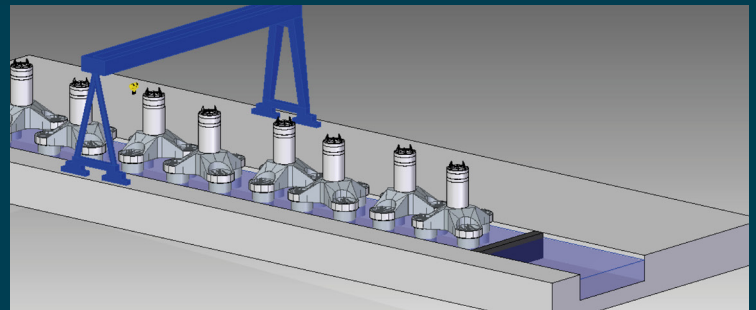
Transport and installation foundation



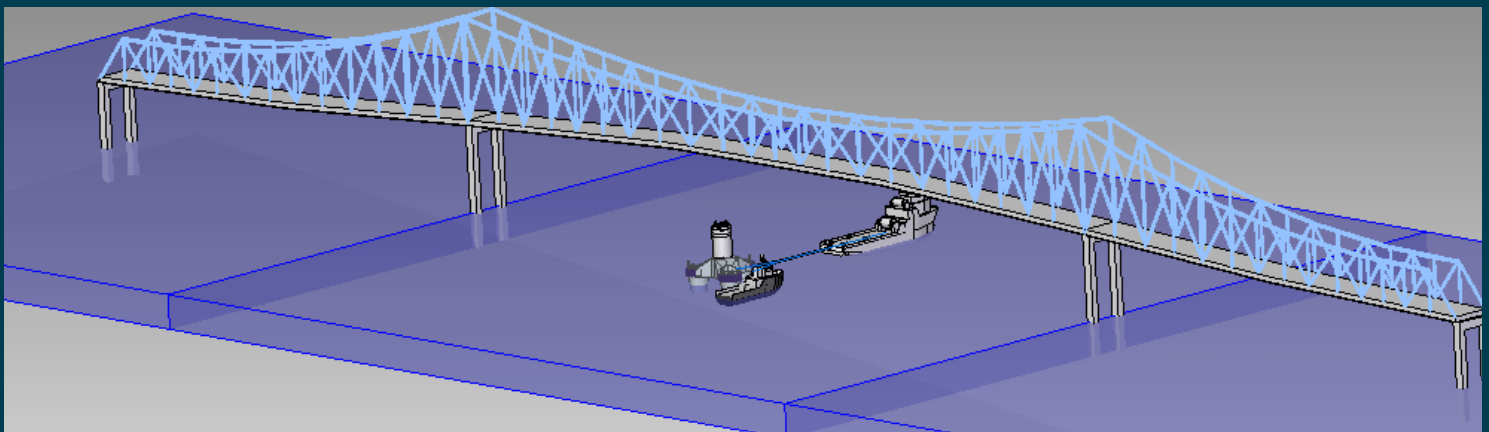
Installation Transition Piece.



Modular yard assembly.



Flooding the dry dock.



Wet tow on the river to open sea.